



Southwire™

SPEED™
Services

MADE IN AMERICA CUSTOM EXTENSION CORD PROGRAM

1

SPEED™ SERVICES EXTENSION CORD PROGRAM - CUSTOM PRINTED STANDARD CORDS:

Uses Standard 12 AWG 3 Conductor SJTW/SJE00W Polar/Solar™ Stocked Cords 25', 50', and 100'
4 Color Selections* – NEMA 5-15 Wiring Device Lit Ends Only

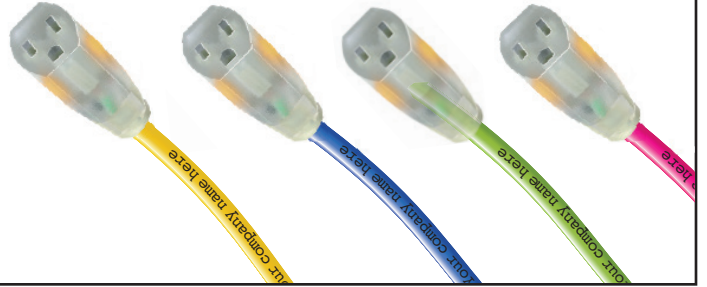


Min Run: 2,400', Max Run: 5,600'

1-2 Week Lead time

*SJE00W Jacket Only Available in Yellow

SEE PAGE 2 FOR ADDITIONAL DETAILS



2

CUSTOM PRINTED SJTW STANDARD CORDS:

Uses Standard 12 AWG 3 Conductor SJTW Cords -- Various Lengths Available
4 Color Selections – NEMA 5-15 Wiring Device Type Only



Min Run: 5,000', Max Run: 10,000'

2-4 Week Lead time

SEE PAGE 3 FOR ADDITIONAL DETAILS



3

CUSTOM PRINTED CORDS:

6-8 Week Lead time

PRINT WHEEL OR INDENT CUSTOM CORDS*:

8-10 Week Lead time

Min Run: 10,000'

Multiple Jacket Types, Devices, Custom Colors and Stripes



*Print Wheel and Indent custom cords require customer specific wheel for legend text
Runs of 50,000'+ may extend lead times
SEE PAGE 4 FOR ADDITIONAL DETAILS



**WE'VE GOT IT
MADE IN AMERICA™**

**CONTACT YOUR SOUTHWIRE REPRESENTATIVE OR
SWSPEED@SOUTHWIRE.COM FOR MORE INFORMATION.**

©2025 Southwire Company, LLC. All rights reserved.

*Registered Trademark & ™Trademark of Southwire Company, LLC.



SCAN OR CLICK
TO PLACE AN
ORDER

SPEED™ SERVICES EXTENSION CORD PROGRAM ORDER FORM

1 CUSTOMER INFORMATION

Customer: _____ Date: _____
 Distributor: _____ Prepared by: _____

2 ORDER:

SJTW Jacket	Yellow	25-ft	12/3	Qty: _____ (Multiples of 12)	Material#: 2587SW9902
		50-ft	12/3	Qty: _____ (Multiples of 6)	Material#: 2588SW9902
		100-ft	12/3	Qty: _____ (Multiples of 4)	Material#: 2589SW9902
	Blue	25-ft	12/3	Qty: _____ (Multiples of 12)	Material#: 2577SW990H
		50-ft	12/3	Qty: _____ (Multiples of 8)	Material#: 2578SW990H
		100-ft	12/3	Qty: _____ (Multiples of 4)	Material#: 2579SW990H
	Green	25-ft	12/3	Qty: _____ (Multiples of 12)	Material#: 2577SW990X
		50-ft	12/3	Qty: _____ (Multiples of 8)	Material#: 2578SW990X
		100-ft	12/3	Qty: _____ (Multiples of 4)	Material#: 2579SW990X
Pink	25-ft	12/3	Qty: _____ (Multiples of 12)	Material#: 2577SW990A	
	50-ft	12/3	Qty: _____ (Multiples of 8)	Material#: 2578SW990A	
	100-ft	12/3	Qty: _____ (Multiples of 4)	Material#: 2579SW990A	
SJE00W Jacket (Polar/Solar)	Yellow	25-ft	12/3	Qty: _____ (Multiples of 12)	Material#: 1687SW9902
		50-ft	12/3	Qty: _____ (Multiples of 6)	Material#: 1688SW9902
		100-ft	12/3	Qty: _____ (Multiples of 4)	Material#: 1689SW9902

3 PROVIDE PRINT LEGEND BELOW

The information presented here is, to the best of our knowledge, true and accurate. However, since conditions of use are beyond our control, all recommendations or suggestions are presented without guarantee or responsibility on our part.

This specification is proprietary intellectual property of Southwire Company, LLC. Any information contained herein shall not be disclosed to any party without written consent of Southwire Company, LLC.

We disclaim all liability in connection with the use of information contained herein or otherwise.

Approved by: _____
 Date: _____
 Title: _____



SCAN OR CLICK
TO PLACE AN
ORDER


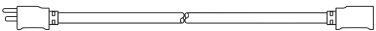

CUSTOM PRINTED SJTW STANDARD CORD ORDER FORM

1 CUSTOMER INFORMATION

Customer: _____ Date: _____
 Distributor: _____ Prepared by: _____
 Quantity: _____ of 25ft _____ of 50ft _____ of 100ft _____ of _____ ft _____ of _____ ft
 Gauge: 12/3
 Jacket Type: SJTW







2 WIRING DEVICE TYPE

NEMA 5-15    Most Applications

All products must have same device type in order to meet minimum length run



3 COLORS

Color:    

Yellow Bright Blue Bright Green Hot Pink

Plug/Connector: Black Clear



4 CABLE LEGEND

Inkjet, color (black or white): _____ No custom legend

Legend text: _____ + standard text

Approved by: _____ Title: _____ Date: _____

The customer will accept +/- 20 percent on total order request. Case pack quantities must be followed.

The information presented here is to the best of our knowledge, true and accurate. However, since conditions of use are beyond our control, all recommendations or suggestions are presented without guarantee or responsibility on our part. We disclaim all liability in connection with the use of information contained herein or otherwise. This specification is proprietary intellectual property of Southwire®. Any information contained herein shall not be disclosed to any party without written consent of Southwire®.





SCAN OR CLICK
TO PLACE AN
ORDER


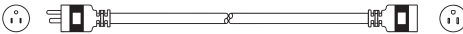
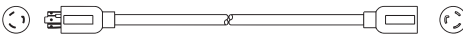

CUSTOM DESIGN EXTENSION CORD ORDER FORM

1 CUSTOMER INFORMATION

Customer: _____ Date: _____
 Distributor: _____ Prepared by: _____
 Quantity: _____ of 25ft _____ of 50ft _____ of 100ft _____ of _____ ft _____ of _____ ft
 Gauge: 14/3 12/3 10/3
 Jacket Type: SJTW SJE00W STW
 All products must have the same gauge and jacket type in order to meet minimum length run



2 WIRING DEVICE TYPE

NEMA 5-15  Most Applications
 NEMA 5-15  10/3 or 600V only available with STW Jacket Type
 NEMA L5-20  20A Twist Lock
 NEMA 5-15  Tri-Source®
 All products must have same device type in order to meet minimum length run



3 COLORS

Cord: _____ Color: _____
 Stripe: Stripe: _____ Color: _____
 Plug/Connector: Black Clear



4 CABLE LEGEND

Inkjet, color (black or white): _____ Print Wheel, color (black or white): _____ Indent (no color) No custom legend
 Legend text: _____ + standard text
 Approved by: _____ Title: _____ Date: _____

The customer will accept +/- 10 percent of total order requested. Case pack quantities must be followed.

The information presented here is to the best of our knowledge, true and accurate. However, since conditions of use are beyond our control, all recommendations or suggestions are presented without guarantee or responsibility on our part. We disclaim all liability in connection with the use of information contained herein or otherwise. This specification is proprietary intellectual property of Southwire®. Any information contained herein shall not be disclosed to any party without written consent of Southwire®.

