



Southwire™

LIQUIDTIGHT

CATALOG

**[BUILT FOR DURABILITY.
BUILT FOR RELIABILITY.
BUILT FOR WORK.™]**

SOUTHWIRE.COM

LIQUIDTIGHT FITTINGS

Ensure safe electrical service by making a secure connection with Southwire Liquidtight Connectors. By sealing out water, oil, dirt, dust and fumes, our Liquidtight Connectors and Conduit provide protection for electrical service in areas exposed to contaminants and vibrations and widely used in the mechanical, H/VAC and automotive industries.

Zinc Liquidtight Connectors, Straight and 90°

Malleable Iron Liquidtight Connectors, Straight, 90 and 45°

Malleable Iron Liquidtight Connectors, Straight, 90 and 45° with Lug

Metallic Liquidtight Conduit

NM Liquidtight Connectors, Straight and 90°

NM Liquidtight Conduit

Combination Couplings

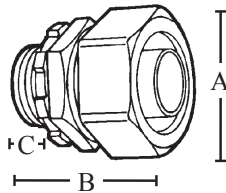


STRAIGHT LIQUIDTIGHT CONNECTORS

ZINC



470



FEATURES

- Liquidtight, raintight, oiltight
- Straight connectors
- Assembled with a die cast locknut

APPLICATIONS

- For use with metallic and non-metallic "Type B" liquidtight conduit

STANDARD MATERIAL

- Zinc die cast

CERTIFICATIONS

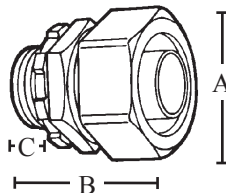
- cULus

PART #	SIZE	INNER QTY.	MASTER QTY.	WEIGHT/ CASE (LBS.)	A	B	C
470	3/8" 1/2" KO	20	200	36	1.446"	1.26"	.40"
471	1/2"	20	200	40	1.50"	1.385"	.42"
472	3/4"	10	100	23	1.603"	1.72"	.42"
473	1"	5	50	20	1.792"	1.90"	.55"
474	1-1/4"	5	50	30	1.90"	2.29"	.546"
475	1-1/2"	2	20	15	1.737"	2.633"	.52"
476	2"	2	20	24	2.08"	3.156"	.585"
477	2-1/2"	---	1	1	3.025"	4.205"	.775"
478	3"	---	1	2	3.53"	4.91"	.92"
479	3-1/2"	---	1	3	3.66"	5.47"	.92"
480	4"	---	1	4	3.875"	5.925"	.987"

WITH INSULATED THROAT - ZINC



470I



FEATURES

- Liquidtight, raintight, oiltight
- Straight connectors
- Assembled with a die cast locknut
- Insulated throat protects against abrasion damage

APPLICATIONS

- For use with metallic and non-metallic "Type B" liquidtight conduit

STANDARD MATERIAL

- Zinc die cast

CERTIFICATIONS

- cULus

PART #	SIZE	INNER QTY.	MASTER QTY.	WEIGHT/ CASE (LBS.)	A	B	C
470I	3/8" 1/2" KO	20	200	40	1.446"	1.260"	.40"
471I	1/2"	20	200	34	1.50"	1.385"	.42"
472I	3/4"	10	100	25	1.603"	1.72"	.42"
473I	1"	5	50	22	1.792"	1.90"	.550"
474I	1-1/4"	5	50	34	1.90"	2.29"	.546"
475I	1-1/2"	2	20	18	1.937"	2.633"	.52"
476I	2"	2	20	28	2.08"	3.156"	.585"
LQA-1250-I	2-1/2"	---	1	1	3.025"	4.205"	.775"
LQA-1300-I	3"	---	1	2	3.53"	4.91"	.92"
LQA-1350-I	3-1/2"	---	1	3	3.66"	5.47"	.92"
LQA-1400-I	4"	---	1	4	3.875"	5.925"	.987"

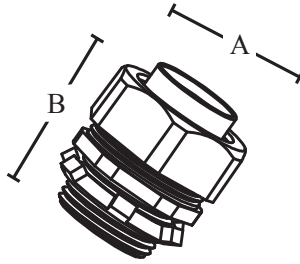
LIQUIDTIGHT FITTINGS

STRAIGHT LIQUIDTIGHT CONNECTORS

WITH INSULATED THROAT - MALLEABLE IRON



470S



PART #	SIZE	INNER QTY.	MASTER QTY.	WEIGHT/ CASE (LBS.)	A	B
470S	3/8" 1/2" K0	20	200	31	1.18"	1.72"
471S	1/2"	20	200	33	1.36"	1.73"
472S	3/4"	10	100	25	1.61"	1.81"
473S	1"	5	50	18	1.89"	1.85"
474S	1-1/4"	5	50	28	2.39"	2.05"
475S	1-1/2"	2	20	15	2.62"	2.38"
476S	2"	2	20	22	3.24"	2.49"
477S	2-1/2"	---	1	2	3.89"	3.21"
478S	3"	---	1	3	4.74"	3.37"
479S	3-1/2"	---	1	4	5.31"	3.40"
480S	4"	---	1	5	5.82"	3.66"
480SA*	5"	---	1	10	6.06"	4.63"
480SB*	6"	---	1	13	7.75"	4.94"

*480SA and 480SB not UL listed

FEATURES

- Liquidtight, raintight, oiltight
- Tapered threaded male hub NPT
- Insulated throat protects conductors from abrasion damage
- Compact slim diameter with small turning radius
- Zinc electro plated for excellent durability

APPLICATIONS

- To secure, ground and seal liquidtight conduit to a box or enclosure
- UL listed liquidtight flexible metal conduit fittings are suitable for use in the following hazardous locations under: NEC 501-4(b), 502-4(a), (2)503-3(a) Class 1 Div.2, Class II Div.1 and 2, Class III Div.1 and 2 and are suitable for grounding in sizes 3/8" through 1-1/2" under NEC 351-1

STANDARD MATERIAL

- Malleable iron
- Steel locknut

STANDARD FINISH

- Zinc plated

CERTIFICATIONS

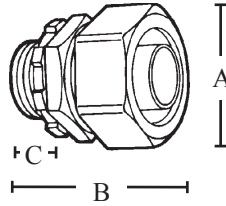
- UL Standard: UL 514B
- Fed. Spec: W-F-406E, W-F-406D
- NEMA: FB 1-2014

STRAIGHT LIQUIDTIGHT CONNECTORS

WITH INSULATED THROAT - STEEL



470ST



UL listed liquidtight flexible metal conduit fittings are suitable for use in the following hazardous locations under: NEC 501-4(b), 502-4(a), (2)503-3(a) Class I Div. 2, Class II Div. 1 and 2, Class III Div. 1 and 2 are suitable for grounding in sizes 3/8" through 1-1/2" under NEC 351-1

FEATURES

- Liquidtight, raintight, oiltight
- Industrial specification grade, screw machined steel
- Corrosion resistant protection from moisture & oils

APPLICATIONS

- Bonds liquidtight conduit to box or enclosure
- Straight type

STANDARD MATERIAL

- Steel

STANDARD FINISH

- Zinc plated

CERTIFICATIONS

- cULus

PART #	SIZE	INNER QTY.	MASTER QTY.	WEIGHT/ CASE (LBS.)	A	B	C
470ST	3/8" 1/2" KO	20	200	25	1.09"	1.19"	.63"
471ST	1/2"	20	200	31	1.19"	1.34"	.63"
472ST	3/4"	10	100	23	1.43"	1.43"	.63"
473ST	1"	5	50	18	1.75"	1.63"	.66"
474ST	1-1/4"	5	50	23	2.16"	1.84"	.67"
475ST	1-1/2"	2	20	12	2.38"	2"	.72"
476ST	2"	2	20	15	2.88"	2.13"	.72"

WITH INSULATED THROAT - 304 STAINLESS STEEL



LTCSS-38



FEATURES

- For use with metallic and non-metallic type B
- Connectors can be easily disassembled and reused
- Sealing washers included
- Heavy duty stainless steel lock nuts included

APPLICATIONS

- Connects liquid-tight conduit to a box or enclosure in wet, damp & corrosive locations

STANDARD MATERIAL

- 304 stainless steel

CERTIFICATIONS

- UL Listed, CSA Listed

PART #	SIZE	MASTER QTY.
LTCSS-38	3/8"	20
LTCSS-50	1/2"	20
LTCSS-75	3/4"	10
LTCSS-100	1"	5
LTCSS-125	1-1/4"	5
LTCSS-150	1-1/2"	5
LTCSS-200	2"	5

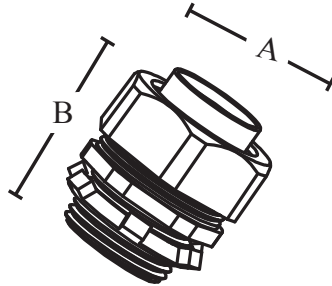
LIQUIDTIGHT FITTINGS

STRAIGHT LIQUIDTIGHT CONNECTORS

WITH INSULATED THROAT - MALLEABLE IRON
HOT DIP GALVANIZED



471HDG



FEATURES

- Hot dip galvanized
- Liquidtight, raintight, oiltight
- Tapered threaded male hub NPT
- Insulated throat protects conductors from abrasion damage
- Compact slim diameter with small turning radius

APPLICATIONS

- To secure, ground and seal liquidtight conduit to a box or enclosure
- UL listed liquidtight flexible metal conduit fittings are suitable for use in the following hazardous locations under: NEC 501-4(b), 502-4(a), (2)503-3(a) Class 1 Div.2, Class II Div.1 and 2, Class III Div.1 and 2 and are suitable for grounding in sizes 3/8" through 1-1/2" under NEC 351-1

STANDARD MATERIAL

- Malleable iron
- Steel locknut

STANDARD FINISH

- Hot dip galvanized

CERTIFICATIONS

- UL Standard: UL 514B
- Fed. Spec: W-F-406E, W-F-406D
- NEMA: FB 1-2014



UL listed liquidtight flexible metal conduit fittings are suitable for use in the following hazardous locations under: NEC 501-4(b), 502-4(a), (2)503-3(a) Class 1 Div. 2, Class II Div. 1 and 2, Class III Div. 1 and 2 are suitable for grounding in sizes 3/8" through 1-1/2" under NEC 351-1

PART #	CONDUIT SIZE	INNER QTY.	MASTER QTY.	WEIGHT/ CASE (LBS.)	A	B
471HDG	1/2"	20	200	33	1.36"	1.73"
472HDG	3/4"	10	100	24	1.61"	1.81"
473HDG	1"	5	50	18	1.89"	1.85"
474HDG	1-1/4"	5	50	30	2.39"	2.05"
475HDG	1-1/2"	2	20	15	2.62"	2.38"
476HDG	2"	2	20	23	3.24"	2.49"
477HDG	2-1/2"	---	1	2	3.89"	3.21"
478HDG	3"	---	1	3	4.74"	3.37"
479HDG	3-1/2"	---	1	5	5.31"	3.40"
480HDG	4"	---	1	5	5.82"	3.66"

LIQUIDTIGHT FITTINGS

STRAIGHT LIQUIDTIGHT CONNECTORS

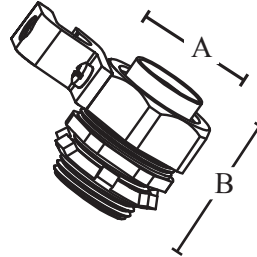
WITH GROUNDING LUG - MALLEABLE IRON



471SGR



473CSGR



FEATURES

- Liquidtight, raintight, oiltight
- Aluminum or Copper Lay-in grounding lug
- Insulated throat protects conductors from abrasion damage
- Zinc electro plated for excellent durability

APPLICATIONS

- Use to connect liquidtight conduit and terminate an external bonding conductor that runs parallel to the conduit
- The NEC code specifies length limitations and that the bonding jumper must be parallel to the conduit
- UL listed liquidtight flexible metal conduit fittings are suitable for use in the following hazardous locations under: NEC 501-4(b), 502-4(a), (2)503-3(a) Class 1 Div.2, Class II Div.1 and 2, Class III Div.1 and 2 and are suitable for grounding in sizes 3/8" through 1-1/2" under NEC 351-1

STANDARD MATERIAL

- Malleable iron
- Steel locknut
- Aluminum or Copper lug

STANDARD FINISH

- Zinc plated

CERTIFICATIONS

- UL 467 - UL 486A
- Fed. Spec: W-S-610E
- NEMA: GR 1-2017

PART #	SIZE	LUG SIZE	INNER QTY.	MASTER QTY.	WEIGHT/CASE (LBS.)	A	B
ALUMINUM GROUNDING LUG							
470SGR	3/8"	14-4	10	100	22	1.18"	1.72"
471SGR	1/2"	14-4	10	100	23	1.36"	1.73"
472SGR	3/4"	14-4	5	50	18	1.61"	1.81"
473SGR	1"	14-4	5	50	24	1.89"	1.85"
474SGR	1-1/4"	14-4	2	20	16	2.39"	2.05"
475SGR	1-1/2"	14-4	2	20	18	2.62"	2.38"
476SGR	2"	14-4	2	20	27	3.24"	2.49"
477SGR	2-1/2"	1/0-14	---	1	7	3.89"	3.21"
478SGR	3"	1/0-14	---	1	8	4.74"	3.37"
479SGR	3-1/2"	6/250	---	1	8	5.31"	3.40"
480SGR	4"	6/250	---	1	10	5.82"	3.66"
COPPER GROUNDING LUG							
471CSGR	1/2"	14-4	10	100	24	1.36"	1.73"
472CSGR	3/4"	14-4	5	50	16	1.61"	1.81"
473CSGR	1"	14-4	5	50	22	1.89"	1.85"
474CSGR	1-1/4"	14-4	2	20	14	2.39"	2.05"
475CSGR	1-1/2"	14-4	2	20	17	2.62"	2.38"
476CSGR	2"	14-4	2	20	26	3.24"	2.49"
MSTR-250-CL	2-1/2"	1/0-14	---	1	7	3.89"	3.21"
MSTR-300-CL	3"	1/0-14	---	1	8	4.74"	3.37"
MSTR-350-CL	3-1/2"	6/250	---	1	8	5.31"	3.40"
MSTR-400-CL	4"	6/250	---	1	10	5.82"	3.66"

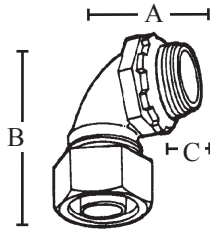
LIQUIDTIGHT FITTINGS

90° LIQUIDTIGHT CONNECTORS

ZINC



491



FEATURES

- Liquidtight, raintight, oiltight
- 90° connectors
- Assembled with a die cast locknut

APPLICATIONS

- For use with metallic and non-metallic "Type B" liquidtight conduit

STANDARD MATERIAL

- Zinc die cast

CERTIFICATIONS

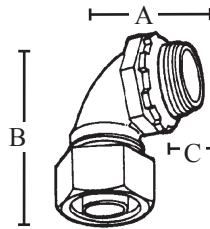
- cULus

PART #	SIZE	INNER QTY.	MASTER QTY.	WEIGHT/ CASE (LBS.)	A	B	C
490	3/8" 1/2" KO	10	100	27	2.062"	2.34"	.52"
491	1/2"	10	100	28	2.22"	2.34"	.52"
492	3/4"	10	100	38	2.55"	3.55"	.68"
493	1"	5	50	32	2.82"	3.785"	.67"
494	1-1/4"	2	20	20	3.362"	3.96"	.70"
495	1-1/2"	2	20	26	3.45"	4.13"	.70"
496	2"	1	10	19	4.036"	4.70"	.57"
497	2-1/2"	---	1	4	5.215"	5.375"	.77"
498	3"	---	1	5	6.10"	6.50"	1.10"
499	3-1/2"	---	1	6	6.715"	7.45"	1.10"
500	4"	---	1	7	6.78"	8"	1.10"

WITH INSULATED THROAT - ZINC



490i



FEATURES

- Liquidtight, raintight, oiltight
- 90° connectors
- Assembled with a die cast locknut
- Insulated throat protects against abrasion damage

APPLICATIONS

- For use with metallic and non-metallic "Type B" liquidtight conduit

STANDARD MATERIAL

- Zinc die cast

CERTIFICATIONS

- cULus

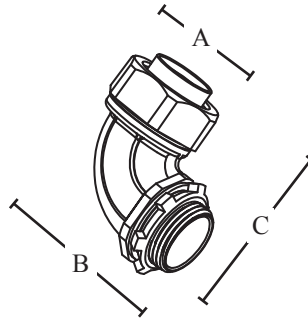
PART #	SIZE	INNER QTY.	MASTER QTY.	WEIGHT/ CASE (LBS.)	A	B	C
490i	3/8" 1/2" KO	10	100	30	2.062"	2.34"	.52"
491i	1/2"	10	100	27	2.22"	2.34"	.52"
492i	3/4"	10	100	39	2.55"	3.55"	.68"
493i	1"	5	50	33	2.82"	3.785"	.67"
494i	1-1/4"	2	20	21	3.362"	3.96"	.70"
495i	1-1/2"	2	20	26	3.45"	4.13"	.70"
496i	2"	1	10	20	4.036"	4.70"	.57"
LQA-9250-I	2-1/2"	---	1	4	5.215"	5.375"	.77"
LQA-9300-I	3"	---	1	5	6.10"	6.50"	1.10"
LQA-9350-I	3-1/2"	---	1	6	6.715"	7.45"	1.10"
LQA-9400-I	4"	---	1	7	6.78"	8"	1.10"

90° LIQUIDTIGHT CONNECTORS

WITH INSULATED THROAT - MALLEABLE IRON



490S



FEATURES

- Liquidtight, raintight, oiltight
- Suitable for wet location use
- Tapered threaded male hub NPT
- Insulated throat protects conductors from abrasion damage
- Compact slim diameter with small turning radius
- Zinc electro plated for excellent durability

APPLICATIONS

- To secure, ground and seal liquidtight conduit to a box or enclosure
- UL listed liquidtight flexible metal conduit fittings are suitable for use in the following hazardous locations under: NEC 501-4(b), 502-4(a), (2)503-3(a) Class 1 Div.2, Class II Div.1 and 2, Class III Div.1 and 2 and are suitable for grounding in sizes 3/8" through 1-1/2" under NEC 351-1

STANDARD MATERIAL

- Malleable iron
- Steel locknut

STANDARD FINISH

- Zinc plated



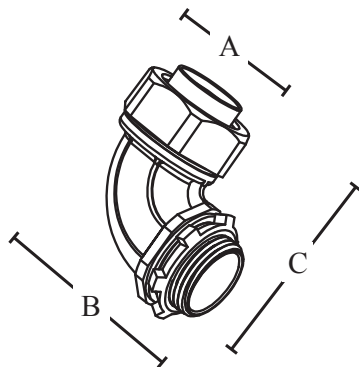
PART #	SIZE	INNER QTY.	MASTER QTY.	WEIGHT/ CASE (LBS.)	A	B	C
490S	3/8" 1/2" KO	10	100	26	1.18"	1.96"	2.47"
491S	1/2"	10	100	28	1.36"	2.10"	2.54"
492S	3/4"	10	100	41	1.61"	2.45"	2.82"
493S	1"	5	50	31	1.89"	2.83"	3.08"
494S	1-1/4"	2	20	20	2.39"	3.15"	3.53"
495S	1-1/2"	2	20	25	2.62"	3.50"	4.17"
496S	2"	1	10	19	3.24"	4.02"	4.69"
497S	2-1/2"	---	1	5	3.89"	6.23"	6.74"
498S	3"	---	1	7	4.74"	6.91"	7.52"
499S	3-1/2"	---	1	9	5.31"	7.57"	7.93"
500S	4"	---	1	14	5.82"	8.07"	8.72"

90° LIQUIDTIGHT CONNECTORS

WITH INSULATED THROAT - MALLEABLE IRON
HOT DIP GALVANIZED



491HDG



FEATURES

- Hot dip galvanized
- Liquidtight, raintight, oiltight
- Suitable for wet location use
- Tapered threaded male hub NPT
- Insulated throat protects conductors from abrasion damage
- Compact slim diameter with small turning radius

APPLICATIONS

- To secure, ground and seal liquidtight conduit to a box or enclosure
- UL listed liquidtight flexible metal conduit fittings are suitable for use in the following hazardous locations under: NEC 501-4(b), 502-4(a), (2)503-3(a) Class 1 Div.2, Class II Div.1 and 2, Class III Div.1 and 2 and are suitable for grounding in sizes 3/8" through 1-1/2" under NEC 351-1

STANDARD MATERIAL

- Malleable iron
- Steel locknut

STANDARD FINISH

- Hot dip galvanized



UL listed liquidtight flexible metal conduit fittings are suitable for use in the following hazardous locations under: NEC 501-4(b), 502-4(a), (2)503-3(a) Class 1 Div. 2, Class II Div. 1 and 2, Class III Div. 1 and 2 are suitable for grounding in sizes 3/8" through 1-1/2" under NEC 351-1

PART #	CONDUIT SIZE	INNER QTY.	MASTER QTY.	WEIGHT/ CASE (LBS.)	A	B	C
491HDG	1/2"	10	100	28	1.36"	2.10"	2.54"
492HDG	3/4"	10	100	41	1.61"	2.45"	2.82"
493HDG	1"	5	50	31	1.89"	2.83"	3.08"
494HDG	1-1/4"	2	20	21	2.39"	3.15"	3.53"
495HDG	1-1/2"	2	20	25	2.62"	3.50"	4.17"
496HDG	2"	---	10	18	3.24"	4.02"	4.69"
498HDG	3"	---	1	7	4.74"	6.91"	7.52"

LIQUIDTIGHT FITTINGS

90° LIQUIDTIGHT CONNECTORS

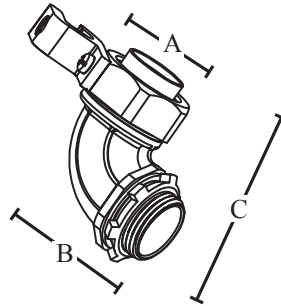
WITH GROUNDING LUG - MALLEABLE IRON



490SGR



490CSGR



FEATURES

- Liquidtight, raintight, oiltight
- Aluminum or Copper Lay-in grounding lug
- Insulated throat protects conductors from abrasion damage
- Zinc electro plated for excellent durability

APPLICATIONS

- Use to connect liquidtight conduit and terminate an external bonding conductor that runs parallel to the conduit
- The NEC code specifies length limitations and that the bonding jumper must be parallel to the conduit
- UL listed liquidtight flexible metal conduit fittings are suitable for use in the following hazardous locations under: NEC 501-4(b), 502-4(a), (2)503-3(a) Class 1 Div.2, Class II Div.1 and 2, Class III Div.1 and 2 and are suitable for grounding in sizes 3/8" through 1-1/2" under NEC 351-1

STANDARD MATERIAL

- Malleable iron
- Steel locknut
- Aluminum or Copper lug

STANDARD FINISH

- Zinc plated

CERTIFICATIONS

- UL 467 - UL 486A
- Fed. Spec: W-S-610E
- NEMA: GR 1-2017



PART #	SIZE	LUG SIZE	INNER QTY.	MASTER QTY.	WEIGHT/ CASE (LBS.)	A	B	C
ALUMINUM GROUNDING LUG								
490SGR	3/8"	14-4	5	50	17	1.18"	1.96"	2.47"
491SGR	1/2"	14-4	5	50	24	1.36"	2.10"	2.54"
492SGR	3/4"	14-4	2	20	16	1.61"	2.45"	2.82"
493SGR	1"	14-4	2	20	17	1.89"	2.83"	3.08"
494SGR	1-1/4"	14-4	2	20	25	2.39"	3.15"	3.53"
495SGR	1-1/2"	14-4	2	20	29	2.62"	3.50"	4.17"
496SGR	2"	14-4	2	20	42	3.24"	4.02"	4.69"
497SGR	2-1/2"	1/0-14	---	1	9	3.89"	6.23"	6.74"
498SGR	3"	1/0-14	---	1	11	4.74"	6.91"	7.52"
499SGR	3-1/2"	6/250	---	1	13	5.31"	7.57"	7.93"
500SGR	4"	6/250	---	1	15	5.82"	8.07"	8.72"
COPPER GROUNDING LUG								
491CSGR	1/2"	14-4	5	50	18	1.36"	2.10"	2.54"
492CSGR	3/4"	14-4	2	20	11	1.61"	2.45"	2.82"
493CSGR	1"	14-4	2	20	15	1.89"	2.83"	3.08"
494CSGR	1-1/4"	14-4	2	20	21	2.39"	3.15"	3.53"
495CSGR	1-1/2"	14-4	2	20	26	2.62"	3.50"	4.17"
496CSGR	2"	14-4	2	20	41	3.24"	4.02"	4.69"

LIQUIDTIGHT FITTINGS

90° LIQUIDTIGHT CONNECTORS

304 STAINLESS STEEL



LTCSS-5090



PART #	SIZE	MASTER QTY.
LTCSS-5090	1/2"	20
LTCSS-7590	3/4"	20
LTCSS-10090	1"	5
LTCSS-12590	1-1/4"	5
LTCSS-15090	1-1/2"	5
LTCSS-20090	2"	5

FEATURES

- For use with metallic and non-metallic type B
- Connectors can be easily disassembled and reused
- Sealing washers included
- Heavy duty stainless steel lock nuts included

APPLICATIONS

- Connects liquid-tight conduit to a box or enclosure in wet, damp & corrosive locations

STANDARD MATERIAL

- 304 stainless steel

CERTIFICATIONS

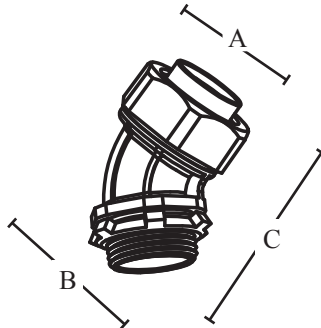
- UL Listed, CSA Listed

45° LIQUIDTIGHT CONNECTORS

WITH INSULATED THROAT - MALLEABLE IRON



230S



PART #	SIZE	INNER QTY.	MASTER QTY.	WEIGHT/ CASE (LBS.)	A	B	C
230S	3/8" 1/2" KO	10	100	24	1.18"	1.39"	2.51"
231S	1/2"	10	100	28	1.36"	1.50"	2.51"
232S	3/4"	10	100	42	1.61"	1.73"	2.70"
233S	1"	5	50	32	1.89"	2.11"	3.05"
234S	1-1/4"	2	20	22	2.39"	2.56"	3.65"
235S	1-1/2"	2	20	32	2.62"	2.77"	4.01"
236S	2"	2	20	49	3.24"	3.38"	4.64"
237S	2-1/2"	---	1	5	3.89"	4.68"	6.46"
238S	3"	---	1	7	4.74"	5.33"	7.01"
239S	3-1/2"	---	1	10	5.31"	5.81"	7.33"
240S	4"	---	1	12	5.82"	6.42"	8.20"

FEATURES

- Liquidtight, raintight, oiltight
- Suitable for wet locations
- Tapered threaded male hub NPT
- Insulated throat protects conductors from abrasion damage
- Compact slim diameter with small turning radius
- Zinc electro plated for excellent durability

APPLICATIONS

- To secure, ground and seal liquidtight conduit to a box or enclosure
- UL listed liquidtight flexible metal conduit fittings are suitable for use in the following hazardous locations under: NEC 501-4(b), 502-4(a), (2)503-3(a) Class 1 Div.2, Class II Div.1 and 2, Class III Div.1 and 2 and are suitable for grounding in sizes 3/8" through 1-1/2" under NEC 351-1

STANDARD MATERIAL

- Malleable iron
- Steel locknut

STANDARD FINISH

- Zinc plated

CERTIFICATIONS

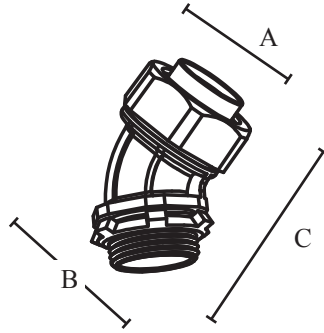
- cULus

45° LIQUIDTIGHT CONNECTORS

WITH INSULATED THROAT - MALLEABLE IRON HOT DIP GALVANIZED



231HDG



FEATURES

- Hot dip galvanized
- Liquidtight, raintight, oiltight
- Suitable for wet locations
- Tapered threaded male hub NPT
- Insulated throat protects conductors from abrasion damage
- Compact slim diameter with small turning radius

APPLICATIONS

- To secure, ground and seal liquidtight conduit to a box or enclosure
- UL listed liquidtight flexible metal conduit fittings are suitable for use in the following hazardous locations under: NEC 501-4(b), 502-4(a), (2)503-3(a) Class 1 Div.2, Class II Div.1 and 2, Class III Div.1 and 2 and are suitable for grounding in sizes 3/8" through 1-1/2" under NEC 351-1

STANDARD MATERIAL

- Malleable iron
- Steel locknut

STANDARD FINISH

- Hot dip galvanized

CERTIFICATIONS

- cULus



UL listed liquidtight flexible metal conduit fittings are suitable for use in the following hazardous locations under: NEC 501-4(b), 502-4(a), (2)503-3(a) Class 1 Div. 2, Class II Div. 1 and 2, Class III Div. 1 and 2 are suitable for grounding in sizes 3/8" through 1-1/2" under NEC 351-1

PART #	CONDUIT SIZE	INNER QTY.	MASTER QTY.	WEIGHT/ CASE (LBS.)	A	B	C
231HDG	1/2"	10	100	25	1.36"	1.50"	2.51"
232HDG	3/4"	10	100	35	1.61"	1.73"	2.70"
233HDG	1"	5	50	26	1.89"	2.11"	3.05"
234HDG	1-1/4"	2	20	19	2.39"	2.56"	3.65"
235HDG	1-1/2"	2	20	23	2.62"	2.77"	4.01"
236HDG	2"	2	20	34	3.24"	3.38"	4.64"

45° LIQUIDTIGHT CONNECTORS

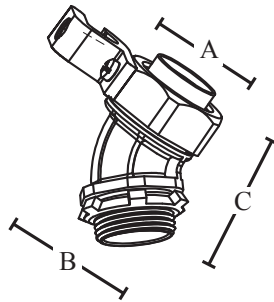
WITH GROUNDING LUG - MALLEABLE IRON



230SGR



230CSGR



FEATURES

- Liquidtight, raintight, oiltight
- Aluminum or Copper Lay-in grounding lug
- Insulated throat protects conductors from abrasion damage
- Zinc electro plated for excellent durability

APPLICATIONS

- Use to connect liquidtight conduit and terminate an external bonding conductor that runs parallel to the conduit
- The NEC code specifies length limitations and that the bonding jumper must be parallel to the conduit
- UL listed liquidtight flexible metal conduit fittings are suitable for use in the following hazardous locations under: NEC 501-4(b), 502-4(a), (2)503-3(a) Class 1 Div.2, Class II Div.1 and 2, Class III Div.1 and 2 and are suitable for grounding in sizes 3/8" through 1-1/2" under NEC 351-1

STANDARD MATERIAL

- Malleable iron
- Steel locknut
- Aluminum or Copper lug

STANDARD FINISH

- Zinc plated

CERTIFICATIONS

- UL 467 - UL 486A
- Fed. Spec: W-S-610E
- NEMA: GR 1-2017



PART #	SIZE	LUG SIZE	INNER QTY.	MASTER QTY.	WEIGHT/CASE (LBS.)	A	B	C
ALUMINUM GROUNDING LUG								
230SGR	3/8"	14-4	5	50	16	1.18"	1.39"	2.51"
231SGR	1/2"	14-4	5	50	17	1.36"	1.50"	2.51"
232SGR	3/4"	14-4	2	50	24	1.61"	1.73"	2.70"
233SGR	1"	14-4	2	20	16	1.89"	2.11"	3.05"
234SGR	1-1/4"	14-4	2	20	24	2.39"	2.56"	3.65"
235SGR	1-1/2"	14-4	2	20	26	2.62"	2.77"	4.01"
236SGR	2"	14-4	2	20	37	3.24"	3.38"	4.64"
237SGR	2-1/2"	1/0-14	---	1	8	3.89"	4.68"	6.46"
238SGR	3"	1/0-14	---	1	11	4.74"	5.33"	7.01"
239SGR	3-1/2"	6/250	---	1	12	5.31"	5.81"	7.33"
240SGR	4"	6/250	---	1	14	5.82"	6.42"	8.20"
COPPER GROUNDING LUG								
231CSGR	1/2"	14-4	5	50	17	1.36"	1.50"	2.51"
232CSGR	3/4"	14-4	5	50	24	1.61"	1.73"	2.70"
233CSGR	1"	14-4	2	20	16	1.89"	2.11"	3.05"
234CSGR	1-1/4"	14-4	2	20	24	2.39"	2.56"	3.65"
235CSGR	1-1/2"	14-4	2	20	26	2.62"	2.77"	4.01"
236CSGR	2"	14-4	2	20	37	3.24"	3.38"	4.64"

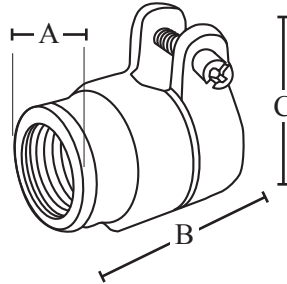
LIQUIDTIGHT FITTINGS

RIGID TO FLEXIBLE METAL CONDUIT COMBINATION COUPLING

SQUEEZE CONNECTOR - ZINC



RTF50



FEATURES

- Female hub threads - NPT
- RoHS compliant

APPLICATIONS

- To connect flexible metal conduit to rigid or IMC conduit

STANDARD MATERIAL

- Malleable iron

STANDARD FINISH

- Zinc plated

CERTIFICATIONS

- cULus

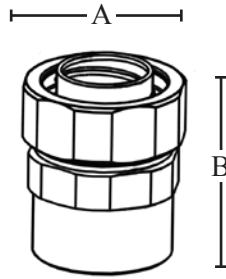
PART #	RIGID SIZE	FLEX SIZE	MASTER QTY.	A	B	C
RTF50	1/2"	1/2"	25	1-3/16"	1-1/2"	1-11/16"
RTF75	3/4"	3/4"	25	1-3/8"	1-3/4"	1-7/8"
RTF100	1"	1"	10	1-5/8"	1-13/16"	2-5/16"
RTF125	1 1/4"	1 1/4"	10	2"	2-5/16"	2-5/8"

COMBINATION COUPLINGS

LIQUIDTIGHT TO RIGID - STEEL



50SLT



FEATURES

- Liquidtight, raintight, oiltight
- NPSM thread
- Labor saving

APPLICATIONS

- Use to join liquidtight metal conduit (LFMC) to Rigid/IMC conduit between 2 different raceways
- Suitable for use in wet locations
- Raintight, concrete tight

STANDARD MATERIAL

- Steel

STANDARD FINISH

- Zinc plated

CERTIFICATIONS

- UL Standard: UL 514B
- Fed. Spec: A-A-50553
- NEMA: FB 1

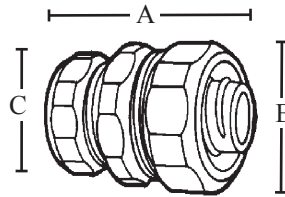


PART #	SIZE	INNER QTY.	MASTER QTY.	WEIGHT/ CASE (LBS.)	A	B
50SLT	3/8" - 1/2"	20	200	33	1.10"	1.78"
51SLT	1/2"	20	200	29	1.17"	1.78"
52SLT	3/4"	10	100	23	1.43"	1.94"
53SLT	1"	5	50	18	1.76"	2.19"
54SLT	1-1/4"	5	50	30	2.16"	2.23"
55SLT	1-1/2"	-	12	8	2.38"	2.62"
56SLT	2"	-	5	5	2.87"	2.67"

COMPRESSION TYPE - EMT TO LIQUIDTIGHT - STEEL



271



FEATURES

- Liquidtight, raintight, oiltight
- Compression type
- EMT to liquidtight
- Reusable ferrule

APPLICATIONS

- Use to connect LT conduit to EMT 1/2" thru 1", ideal for rooftop HVAC air conditioners and motor hook-ups
- Can be used with EMT indoors only

STANDARD MATERIAL

- Steel

STANDARD FINISH

- Zinc plated

CERTIFICATIONS

- cULus



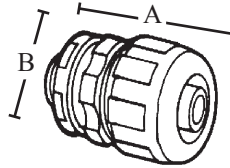
PART #	SIZE	INNER QTY.	MASTER QTY.	WEIGHT/ CASE (LBS.)	A	B	C
271	1/2"	25	250	20	1.64"	1.39"	1.09"
272	3/4"	20	200	14	1.75"	1.72"	1.30"
273	1"	10	100	16	2"	1.75"	1.50"

STRAIGHT LIQUIDTIGHT CONNECTORS

GRAY - NYLON



P471



PART #	SIZE	INNER QTY.	MASTER QTY.	WEIGHT/ CASE (LBS.)	A	B
P470	3/8" 1/2" KO	25	100	7	2.04"	1.43"
P471	1/2"	25	100	6	2.11"	1.43"
P472	3/4"	10	100	8	2.20"	1.68"
P473	1"	5	50	12	2.28"	1.99"
P474	1-1/4"	5	50	12	2.46"	2.39"
P475	1-1/2"	5	20	14	2.72"	2.65"
P476	2"	2	20	9	3.05"	3.22"

FEATURES

- Liquidtight, raintight, oiltight
- For flexible non-metallic liquidtight tubing
- Easy assembly avoids having to remove the compression nut
- Straight type
- Gray

APPLICATIONS

- For use in wet and dry locations

STANDARD MATERIAL

- 6/6 Nylon

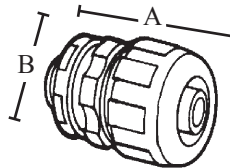
CERTIFICATIONS

- cULus

BLACK - NYLON



P470B



PART #	SIZE	INNER QTY.	MASTER QTY.	WEIGHT/ CASE (LBS.)	A	B
P470B	3/8" 1/2" KO	25	100	7	2.04"	1.43"
P471B	1/2"	25	100	6	2.11"	1.43"
P472B	3/4"	10	100	8	2.20"	1.68"
P473B	1"	5	50	12	2.28"	1.99"
P474B	1-1/4"	5	50	12	2.46"	2.39"
P475B	1-1/2"	5	50	14	2.72"	2.65"
P476B	2"	2	20	9	3.05"	3.22"

FEATURES

- Liquidtight, raintight, oiltight
- For flexible non-metallic liquidtight tubing
- Easy assembly avoids having to remove the compression nut
- Straight type
- Black

APPLICATIONS

- For use in wet and dry locations

STANDARD MATERIAL

- 6/6 Nylon

CERTIFICATIONS

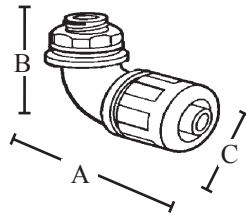
- cULus

90° LIQUIDTIGHT CONNECTORS

GRAY - NYLON



P491



FEATURES

- Liquidtight, raintight, oiltight
- For flexible non-metallic liquidtight tubing
- Easy assembly avoids having to remove the compression nut
- 90° angle
- Gray

APPLICATIONS

- For use in wet and dry locations

STANDARD MATERIAL

- 6/6 Nylon

CERTIFICATIONS

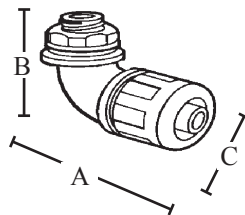
- cULus

PART #	SIZE	INNER QTY.	MASTER QTY.	WEIGHT/ CASE (LBS.)	A	B	C
P490	3/8" 1/2" KO	10	100	9	2.56"	2.14"	1.09"
P491	1/2"	10	100	8	2.56"	2.14"	1.09"
P492	3/4"	10	100	11	2.84"	2.38"	1.30"
P493	1"	5	50	8	2.25"	2.81"	1.50"
P494	1-1/4"	2	20	8	3.96"	3.36"	2.40"
P495	1-1/2"	2	20	10	4.13"	3.45"	2.68"
P496	2"	1	10	9	4.68"	4.04"	3.31"

BLACK - NYLON



P490B



FEATURES

- Liquidtight, raintight, oiltight
- For flexible non-metallic liquidtight tubing
- Easy assembly avoids having to remove the compression nut
- 90° angle
- Black

APPLICATIONS

- For use in wet and dry locations

STANDARD MATERIAL

- 6/6 Nylon

CERTIFICATIONS

- cULus

PART #	SIZE	INNER QTY.	MASTER QTY.	WEIGHT/ CASE (LBS.)	A	B	C
P490B	3/8" 1/2" KO	10	100	9	2.56"	2.14"	1.09"
P491B	1/2"	10	100	8	2.56"	2.14"	1.09"
P492B	3/4"	10	100	11	2.84"	2.38"	1.30"
P493B	1"	5	50	8	2.25"	2.81"	1.50"
P494B	1-1/4"	2	20	8	3.96"	3.36"	2.40"
P495B	1-1/2"	2	20	10	4.13"	3.45"	2.68"
P496B	2"	1	10	9	4.68"	4.04"	3.31"

AC WHIPS - NON METALLIC



ACW10



FEATURES

- Liquidtight
- 240 Volt
- Single phase A/C seal proof power whip
- Assembled with all UL components
- Available in 1/2" and 3/4" conduit size
- 4' and 6' lengths, designed for easy installation
- Resists corrosion, oil, water, outdoor, and sunlight damage

APPLICATIONS

- Connection between outside air conditioning unit and electrical power source; typically used to connect compressor to AC disconnect box

STANDARD MATERIAL

- Non-Metallic

CERTIFICATIONS

- UL

PART #	CONDUIT SIZE	WIRE TYPE	WIRES	LENGTH IN FEET	WIRE SIZE	REDUCING WASHER	MASTER QTY.	WEIGHT/ CASE (LBS.)
ACW10	1/2"	#10 GAUGE STRANDED THNN	1- BLACK 1- RED 1- GREEN	4	#10	1/2" X 3/4"	12	18
ACW11	1/2"	#10 GAUGE STRANDED THNN	1- BLACK 1- RED 1- GREEN	6	#10	1/2" X 3/4"	12	23
ACW12	3/4"	#8 GAUGE STRANDED THNN	1- BLACK 1- RED 1- GREEN	4	#8	3/4" X 1"	12	23
ACW13	3/4"	"#8 GAUGE STRANDED THNN"	1- BLACK 1- RED 1- GREEN	6	#8	3/4" X 1"	12	31
ACW1412	1/2"	#12 SOLID	2- BLACK 1- GREEN	4	#12	1/2" X 3/4"	24	28
ACW1612	1/2"	#12 SOLID	2- BLACK 1- GREEN	6	#12	1/2" X 3/4"	24	38
ACW16124W	1/2"	#12 SOLID 4 WIRE	1- BLACK 1- RED 1- GREEN 1- WHITE	6	#12	1/2" X 3/4"	24	20

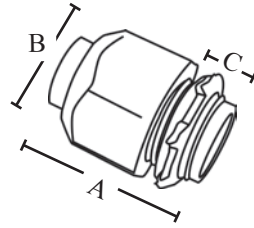
All AC Whips include conduit, 1-NM straight and 1-NM 90° fitting and reducing washer. All wire leads are 1 foot lead wire length at each end.

STRAIGHT LIQUIDTIGHT CONNECTORS

ONE PIECE TYPE - PVC



1501



FEATURES

- Liquidtight, raintight, oiltight
- One piece type easily affixes to conduit
- Straight

APPLICATIONS

- For use in wet and dry locations

STANDARD MATERIAL

- PVC

CERTIFICATIONS

- UL

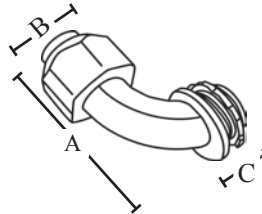
PART #	SIZE	INNER QTY.	MASTER QTY.	WEIGHT/CASE (LBS.)	A	B	C
1501	1/2"	25	100	5	1.75"	.50"	1.25"
1502	3/4"	25	100	8	1.80"	.625"	1.50"

90° LIQUIDTIGHT CONNECTORS

ONE PIECE TYPE - PVC



1522



FEATURES

- Liquidtight, raintight, oiltight
- Recommended design for appliance or fixture installations
- 90° angle

APPLICATIONS

- Dry location use

STANDARD MATERIAL

- PVC

CERTIFICATIONS

- UL

PART #	SIZE	INNER QTY.	MASTER QTY.	WEIGHT/CASE (LBS.)	A	B	C
1521	1/2"	10	100	8	1.875"	.50"	3.125"
1522	3/4"	10	100	11	2.375"	.625"	3.50"

TOP-FLEX 1 TUBING

NON-METALLIC - GRAY



HF112



FEATURES

- Resists corrosion, abrasion, oil, water, acid, metal shavings, and rough environments
- UL Type B flexible nonmetallic liquidtight conduit

APPLICATIONS

- Indoor or outdoor use
- Hazardous Locations - where necessary for flexible connections within hazardous locations per the following:
 - Class 1, Div. 2 - 2005 NEC 501.10(B)(2)
 - Class 2, Div. 1 - 2005 NEC 502.10(A)(2)
 - Class 2, Div. 2 - 2005 NEC 502.10(B)(2)
 - Class 3, Div. 1 - 2005 NEC 503.10(A)(2)
 - Class 3, Div. 2 - 2005 NEC 503.10(B)

STANDARD MATERIAL

- Integral Rigid and flexible PVC construction

PART #	SIZE	INNER QTY.	MASTER QTY.	WEIGHT/CASE (LBS.)	OUTSIDE DIAMETER		INSIDE DIAMETER		WALL THICKNESS
					MIN.	MAX.	MIN.	MAX.	
55-09-41-01	3/8"	---	100'	10	.69"	.71"	.484"	.504"	.21"
58-04-62-01	1/2"	---	100'	13	.82"	.84"	.622"	.642"	.21"
55-09-42-02	1/2"	REEL	1000'	130	.82"	.84"	.622"	.642"	.21"
58-04-63-01	3/4"	---	100'	18	1.03"	1.05"	.82"	.84"	.21"
55-09-43-03	3/4"	REEL	1000'	144	1.03"	1.05"	.82"	.84"	.21"
55-09-44-01	1"	---	100'	25	1.29"	1.315"	1.041"	1.066"	.25"
55-09-44-04	1"	REEL	400'	160	1.29"	1.315"	1.041"	1.066"	.25"
55-09-45-01	1-1/4"	---	50'	33	1.63"	1.66"	1.38"	1.41"	.25"
55-09-46-01	1-1/2"	---	50'	23	1.865"	1.90"	1.575"	1.60"	.30"
55-09-48-01	2"	---	50'	30	2.34"	2.375"	2.02"	2.045"	.33"

UL TYPE B FLEXIBLE NONMETALLIC LIQUIDTIGHT CONDUIT

- 3/8" through 2" trade sizes
- Use with top-flex nylon connectors straight or right angle
- May also be used with Topaz Die Cast Connectors for liquidtight conduit
- Resists corrosion, abrasion, oil, water, acid, metal shavings, and rough environments
- Resists abuse, pull, and crushing
- Smoothinside for easier wire pulling, no hazardous sharp edges or burrs; will not damage conductors
- For direct burial/poured concrete
- Lightweight and lower installed cost
- Quick installation, cuts with utility knife or PVC cutter (CATALOG #VF28)
- Integral Rigid and flexible PVC construction
- Suitable for indoor/outdoor use:
 - HVAC equipment
 - machine tools
 - motors and controls
 - marine equipment
 - printing equipment
 - pumps refrigeration equipment
- UV rated
- 80° C

LIQUIDTIGHT FITTINGS

TOP-FLEX II TUBING

NON-METALLIC - BLACK



HF214



FEATURES

- Resists corrosion, abrasion, oil, water, acid, metal shavings, and rough environments

APPLICATIONS

- Indoor or outdoor use

STANDARD MATERIAL

- Integral Rigid and flexible PVC construction

PART #	SIZE	MASTER QTY.	WEIGHT/ CASE (LBS.)	OUTSIDE DIAMETER		INSIDE DIAMETER		WALL THICKNESS
				MIN.	MAX.	MIN.	MAX.	
-	1/4"	100'	4	.56"	.575"	.385"	.405"	.17"
55318501	3/8"	100'	6	.69"	.71"	.484"	.504"	.21"
-	1/2"	100'	8	.82"	.84"	.622"	.642"	.21"
-	3/4"	100'	10	1.03"	1.05"	.82"	.84"	.21"
-	1"	100'	15	1.29"	1.315"	1.041"	1.066"	.25"
-	1-1/4"	100'	19	1.63"	1.66"	1.38"	1.41"	.25"
-	1-1/2"	50'	22	1.865"	1.90"	1.575"	1.60"	.30"
-	2"	50'	60	2.34"	2.375"	2.02"	2.045"	.33"

FLEXIBLE LIQUIDTIGHT CONDUIT

METALLIC - COIL



6100UL



FEATURES

- Crush and corrosion resistant steel core for lasting mechanical protection
- Durable PVC jacket is oil, heat and sunlight resistant(UV)
- Smooth interior for easy wire pull through
- 3/8" thru 1-1/4" with continuous bonding strip

APPLICATIONS

- For use in damp or wet locations, suitable for commercial and industrial use
- Listed for direct burial and in poured concrete

STANDARD MATERIAL

- PVC jacketed steel core coil wrapped in clear plastic shrink wrap

CERTIFICATIONS

- cULus

PART #	SIZE	FEET COIL	SHIP CASE	WEIGHT/ CASE (LBS.)	INSIDE DIAMETER		OUTSIDE DIAMETER		OUTSIDE DIAMETER PVC JACKET	
					MIN.	MAX.	MIN.	MAX.	MIN.	MAX.
55092903	3/8"	100'	100'	25	.484"	.504"	.594"	.614"	.690"	.710"
55082603	1/2"	100'	100'	29	.622"	.642"	.732"	.765"	.820"	.840"
55082703	3/4"	100'	100'	41	.82"	.84"	.930"	.96"	1.03"	1.05"
55093003	1"	100'	100'	55	1.04"	1.066"	1.201"	1.226"	1.29"	1.315"
55093305	1-1/4"	50'	50'	33	1.38"	1.41"	1.54"	1.57"	1.63"	1.66"
55093205	1-1/2"	50'	50'	54	1.575"	1.60"	1.735"	1.77"	1.865"	1.90"
55093105	2"	50'	50'	32	2.02"	2.045"	2.18"	2.215"	2.34"	2.375"
55106401	2-1/2"	25'	25'	46	2.48"	2.505"	2.64"	2.675"	2.84"	2.875"
55106504	3"	25'	25'	56	3.07"	3.10"	3.295"	3.335"	3.46"	3.50"
55106604	3-1/2"	25'	25'	69	3.50"	3.54"	3.72"	3.789"	3.96"	4"
55106704	4"	25'	25'	80	4"	4.22"	4.22"	4.28"	4.46"	4.50"

METALLIC - REEL



610ROUL



FEATURES

- Crush and corrosion resistant steel core for lasting mechanical protection
- Durable PVC jacket is oil, heat and sunlight resistant(UV)
- Smooth interior for easy wire pull through
- 3/8" thru 1-1/4" with continuous bonding strip

APPLICATIONS

- For use in damp or wet locations, suitable for commercial and industrial use
- Listed for direct burial and in poured concrete

STANDARD MATERIAL

- PVC jacketed steel core coil on reel

CERTIFICATIONS

- cULus

PART #	SIZE	FEET REEL	SHIP CASE	WEIGHT/ CASE (LBS.)	INSIDE DIAMETER		OUTSIDE DIAMETER		OUTSIDE DIAMETER PVC JACKET	
					MIN.	MAX.	MIN.	MAX.	MIN.	MAX.
55092905	3/8"	600'	600'	272	.484"	.504"	.594"	.614"	.69"	.71"
55082602	1/2"	1000'	1000'	312	.622"	.642"	.732"	.765"	.82"	.84"
55082605	1/2"	500'	500'	156	.622"	.642"	.732"	.765"	.82"	.84"
55082705	3/4"	500'	500'	229	.82"	.84"	.93"	.96"	1.03"	1.05"
55093003	1"	100'	100'	127	1.04"	1.066"	1.201"	1.226"	1.29"	1.315"
55093303	1-1/4"	250'	250'	155	1.38"	1.41"	1.54"	1.57"	1.63"	1.66"
55093201	1-1/2"	150'	150'	130	1.575"	1.60"	1.735"	1.77"	1.865"	1.90"
55093101	2"	100'	100'	154	2.02"	2.045"	2.18"	2.215"	2.34"	2.375"



Southwire™

LIQUIDTIGHT CATALOG

get social with us:



[/SOUTHWIRETOOLS](#)



[/SOUTHWIRE-COMPANY](#)



[@SOUTHWIRETOOLS](#)



[@SOUTHWIRE](#)



SCAN TO LEARN MORE

WWW.SOUTHWIRE.COM | 1-855-SWTTOOLS

All Trademarks or Registered Trademarks (TM/®) are owned or licensed by Southwire Company.
Any other TM/®- Trademark or Registered Trademark of Southwire Company.